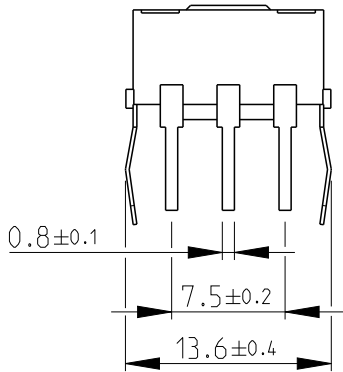
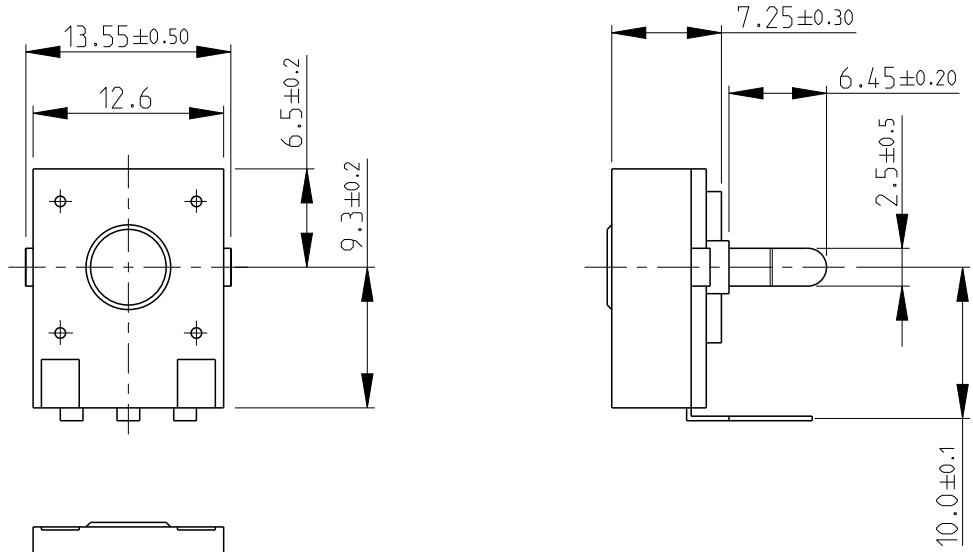
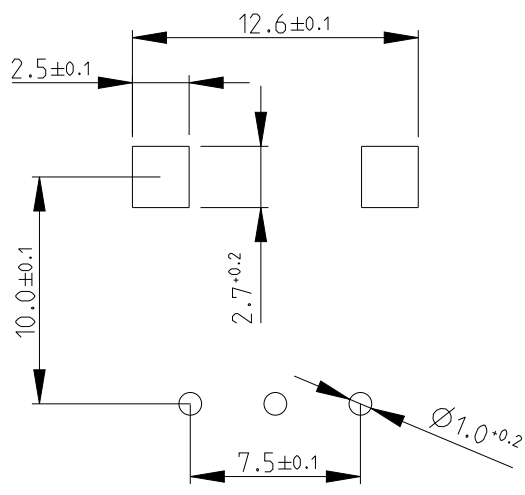


LOC E	DIST B	REVISIONS			
P	LTR	DESCRIPTION	DATE	DWN	APVD
	B2	ECR-14-000932	21JAN2014	KR	TN

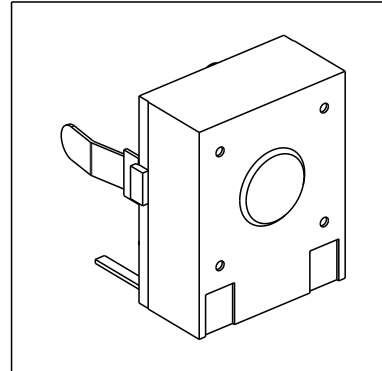


FOR FURTHER INFORMATION SEE DATA SHEET FOR 51 SERIES-SPINDLE OPERATED POTENTIOMETER

PCB PEIRING PLAN



RoHS Compliant



2008  
 RELEASED FOR PUBLICATION  
 ALL RIGHTS RESERVED.  
 THIS DRAWING IS UNPUBLISHED.  
 © COPYRIGHT 2008

DIMENSIONS: mm	DWN SUBHASH.M	01-Aug-08	MATERIAL	-	FINISH	-	
	CHK PRAKASH.S	01-Aug-08	TE Connectivity				
TOLERANCES UNLESS OTHERWISE SPECIFIED:	APVD STEPHEN.P	01-Aug-08					NAME SPINDLE OPERATED POTENTIOMETER SERIES 51
	0 PLC ±0.5 1 PLC ±0.2 2 PLC ±0.1 3 PLC ±- 4 PLC ±- ANGLES ±5°	PRODUCT SPEC	-	SIZE	CAGE CODE	DRAWING NO	RESTRICTED TO
	APPLICATION SPEC	-	A 4	00779	©=1624191	-	
	WEIGHT	-	CUSTOMER DRAWING		SCALE	2:1	SHEET 1 OF 1